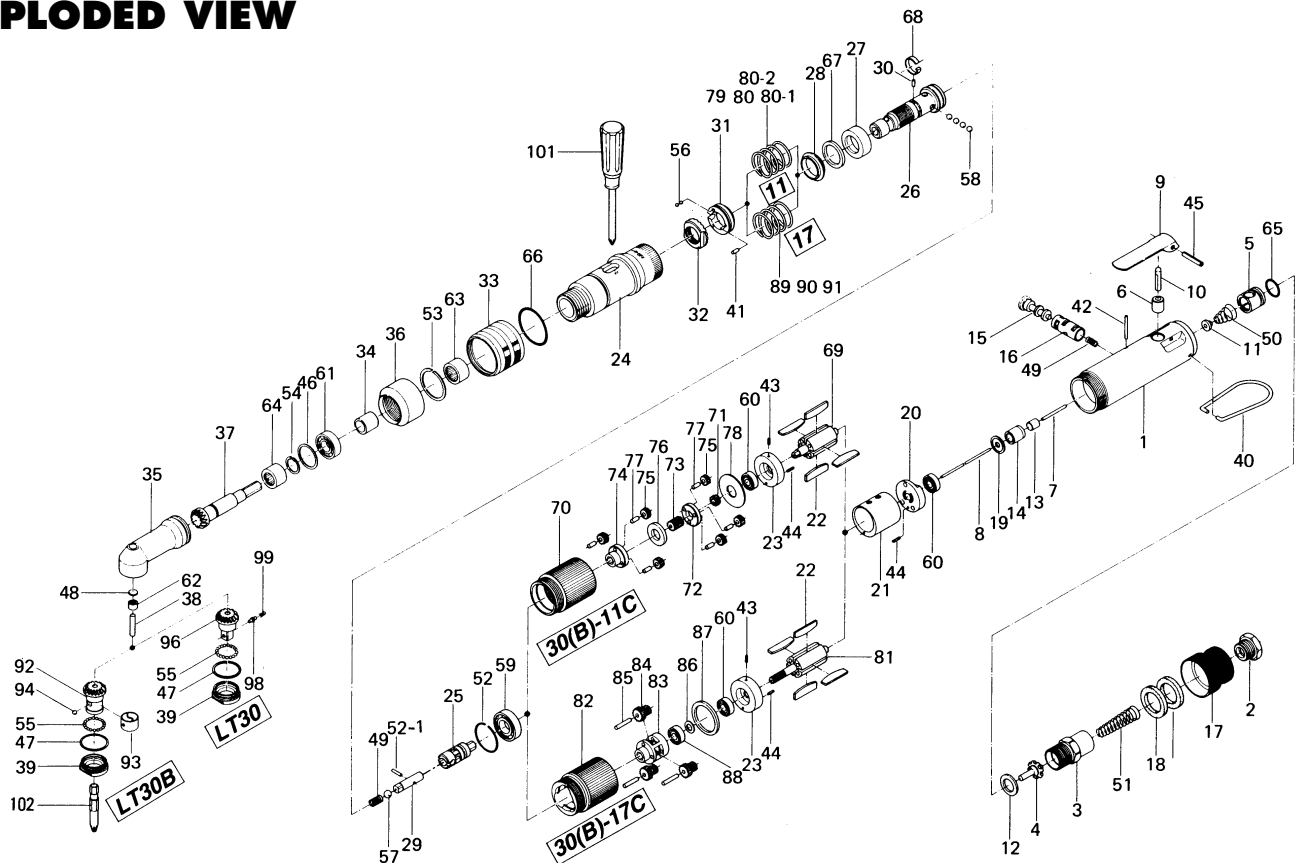


US-LT30[B] ANGLE SERIES SCREWDRIVERS

EXPLODED VIEW



PARTS LIST — FOR REFERENCE ONLY

| Index Number | Part Number | Description | Qty. | Index Number | Part Number | Description | Qty. | Index Number | Part Number | Description | Qty. |
|--------------|-------------|-----------------------|------|--------------|-------------|----------------------------------|------|--------------|-------------|--|------|
| 1 | 469-025-5 | Casing | 1 | 37 | 469-420-5 | Driving Gear | 1 | 72 | 471-480-7 | First Gear Cage | 1 |
| 2 | 480-091-8 | Air Inlet Bushing | 1 | 38 | 469-431-6 | Driven Gear Collar | 1 | 73 | 471-445-7 | Middle Gear | 1 |
| 3 | 461-097-6 | Air Inlet Connector | 1 | 39 | 469-488-5 | Angle Casing Cover | 1 | 74 | 471-485-7 | Second Gear Cage | 1 |
| 4 | 259-100-0 | Valve | 1 | 40 | 401-790-1 | Suspension Ring | 1 | 75 | 471-471-7 | Second Planet Gear | 6 |
| 5 | 461-102-6 | Valve Bushing | 1 | 41 | 970-091-0 | Pin (2 x 4.5) | 1 | 76 | 471-483-7 | Gear Cage Spacer | 1 |
| 6 | 553-103-1 | Valve Rod Bushing | 1 | 42 | 972-020-0 | Roller Pin (2 x 19.8) (A) | 1 | 77 | 972-033-0 | Roller Pin (2.5 x 8) | 6 |
| 7 | 970-105-0 | Pin (H) (2 x 24) | 1 | 43 | 973-001-0 | Roll Pin (1.5 x 6) | 1 | 78 | 975-178-0 | Spacer (26 x 10 x 1.5) | 1 |
| 8 | 462-104-7 | Valve Rod | 1 | 44 | 973-003-0 | Roll Pin (1.5 x 8) | 2 | 79 | 976-472-0 | Spring (20.6 x 22) (2.1) (Blue-Standard) | 1 |
| 9 | 700-107-1 | Valve Lever | 1 | 45 | 973-118-0 | Roll Pin (3 x 18) | 1 | 80 | 976-493-0 | Spring (20.8 x 22) (2.00) (Red-Weak) | 1 |
| 10 | 469-114-5 | Valve Pin | 1 | 46 | 975-768-0 | Adjusting Spacer (19 x 16.2 x T) | 1 | 80-1 | 976-471-0 | Spring (19.4 x 22) (1.6) (Pink-Weaker) | 1 |
| 11 | 259-254-0 | Shut-Off Valve | 1 | 47 | 975-771-0 | Adjusting Spacer (20 x 18 x T) | 1 | 80-2 | 976-504-0 | Spring (21 x 22) (2.3) (Black-Strong) | 1 |
| 12 | 996-424-0 | Packing (16 x 9 x 2) | 1 | 48 | 975-590-0 | Round Plate (6.3 x 1) | 1 | 81 | 471-287-5 | Rotor | 1 |
| 13 | 444-106-8 | Valve Rod Cap | 1 | 49 | 976-058-0 | Spring (4.5 x 11) (0.4) | 2 | 82 | 471-029-5 | Gear Casing | 1 |
| 14 | 461-567-6 | Bushing | 1 | 50 | 977-071-0 | Cone Ring (5.5 x 11.5 x 15) | 1 | 83 | 471-480-5 | Gear Cage | 1 |
| 15 | 893-056-1 | Reverse Valve (Lock) | 1 | 51 | 977-155-0 | Cone Spring (7 x 10 x 35) | 1 | 84 | 471-470-5 | Planet Gear | 3 |
| 16 | 471-211-7 | Reverse Valve Bushing | 1 | 52 | 978-229-0 | Snap Ring (23 x 1) | 1 | 85 | 972-036-0 | Roller Pin (2.5 x 15.8) (A) | 3 |
| 17 | 408-782-1 | Exhaust Deflector | 1 | 52-1 | 969-470-0 | Pin (2 x 8) | 1 | 86 | 975-009-0 | Spacer (9 x 5.2 x 0.3) | 1 |
| 18 | 471-835-5 | Filter (F100) | 2 | 53 | 979-190-0 | Outer Snap Ring (22) | 1 | 87 | 975-188-0 | Spacer (26 x 20 x 1.5) | 1 |
| 19 | 469-291-5 | Rear Plate Spacer | 1 | 54 | 979-351-0 | Inner Snap Ring (18TW-10) | 1 | 88 | 987-013-0 | Miniature Ball Bearing (R-1350) | 1 |
| 20 | 471-285-7 | Rear Plate | 1 | 55 | 981-000-0 | Ball (1/16) | 26 | 89 | 976-493-0 | Spring (20.8 x 22) (2.0) (Red-Standard) | 1 |
| 21 | 471-286-7 | Cylinder | 1 | 56 | 981-001-0 | Ball (3/32) | 2 | 90 | 976-471-0 | Spring (19.4 x 22) (1.6) (Pink-Weaker) | 1 |
| 22 | 471-288-0 | Blade (PC) | 4 | 57 | 981-004-0 | Ball (3/16) | 1 | 91 | 976-472-0 | Spring (20.6x22) (2.1) (Blue-Strong) | 1 |
| 23 | 471-289-7 | Front Plate | 1 | 58 | 981-003-0 | Ball (5/32) | 4 | 92 | 469-430-5 | Driven Gear | 1 |
| 24 | 469-369-6 | Clutch Casing | 1 | 59 | 982-901-0 | Ball Bearing (6900) | 1 | 93 | 430-356-1 | Bit Band | 1 |
| 25 | 471-346-5 | Cam | 1 | 60 | 987-041-0 | Miniature Ball (R-1350ZZ) | 2 | 94 | 981-002-0 | Ball (1/8) | 1 |
| 26 | 471-319-2 | Anvil | 1 | 61 | 982-035-0 | Ball Bearing (698) | 1 | 96 | 469-430-8 | Driven Gear | 1 |
| 27 | 471-375-8 | Cam Ring | 1 | 62 | 988-090-0 | Needle Roller Bearing (B-24) | 1 | 98 | 981-002-0 | Ball (1/8) | 1 |
| 28 | 471-164-8 | Spring Setter | 1 | 63 | 988-394-0 | Needle Roller (FJ-1210) | 1 | 99 | 976-346-0 | Spring (2.9 x 6.35) (0.4) | 1 |
| 29 | 471-318-5 | Pilot Pin | 1 | 64 | 988-689-0 | Needle Roller (RLM-1010) | 1 | 101 | 939-402-0 | Manual Driver (No.2) (B5) | 1 |
| 30 | 471-764-7 | Notch Pin | 1 | 65 | 990-911-0 | O-Ring (SNS-12) | 1 | 102 | 916-510-0 | (+) Bit (No.2 x 33) (6.35) | 1 |
| 31 | 471-562-7 | Spring Holder | 1 | 66 | 990-923-0 | O-Ring (SNS-26) | 1 | | | | |
| 32 | 471-257-7 | Regulating Screw | 1 | 67 | 944-016-0 | Back-up Ring (P-16) | 1 | | | | |
| 33 | 472-370-7 | Clutch Casing Sleeve | 1 | 68 | 471-670-7 | Band | 1 | | | | |
| 34 | 469-807-5 | Spacer | 1 | 69 | 471-287-7 | Rotor | 1 | | | | |
| 35 | 469-441-7 | Angle Casing | 1 | 70 | 471-029-7 | Gear Casing | 1 | | | | |
| 36 | 469-081-6 | Connecting Nut | 1 | 71 | 471-460-7 | Rotor Gear | 1 | | | | |
| | | | | | | | | | | | |

ACCESSORIES

FOOTNOTES

- = Parts for US-LT30(B)-11C
- ▲ = Parts for US-LT30(B)-17C
- × = Parts for US-LT30(B)
- = Parts for US-LT30

AIMCO also offers a complete line of standard & special adapters, bits, sockets and extensions.



AIMCO

When ordering spare parts, please specify tool type, part number and description.

10000 SE PINE, PORTLAND, OR 97216
503-254-6600 FAX 503-255-2615